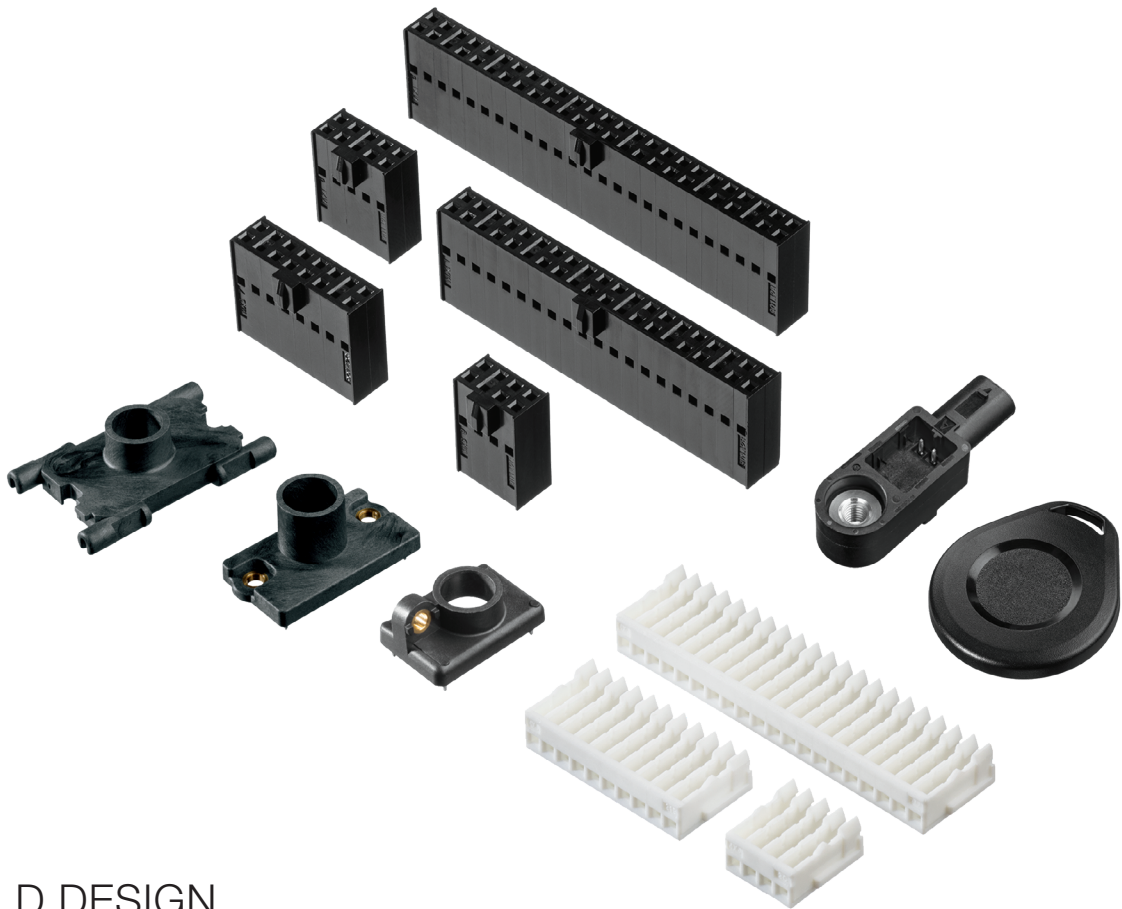


ENGINEERED PLASTICS



- MOLD DESIGN
- MOLD FABRICATION
- PRECISION MOLDING



Positronic®

THE SCIENCE OF **CERTAINTY™**

M013 18-03

At the forefront of precision molding since 1966

Manufacturing facilities totaling nearly 50,000 square feet to deliver quality precision plastic parts worldwide.

CERTIFICATIONS

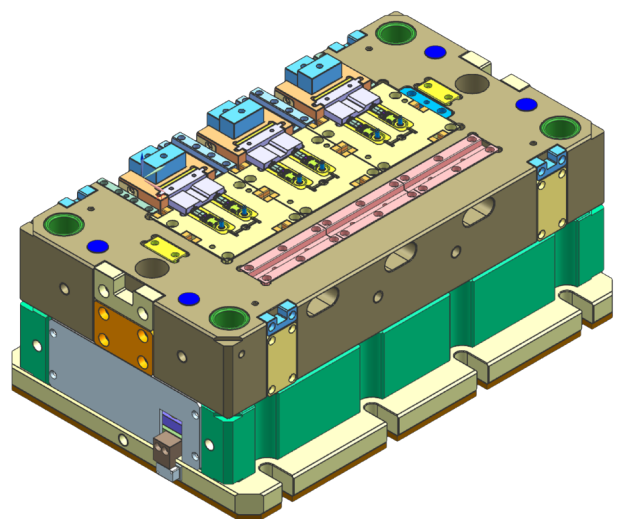
- ISO 9001: 2015
- IATF 16949: 2016
- ISO 14001: 2015

OUR SERVICES

- Engineering consultation
- Prototype testing
- Design for manufacturing
- Mold design and fabrication for LCP, PBT, PPO, nylon among others
- Plastic components with precise tolerances down to 0.03mm
- Plastic component sizes up to 200mm x 200mm and larger (weight up to 150g)
- Insert molded components
- Robust QMS

DESIGN CAPABILITIES

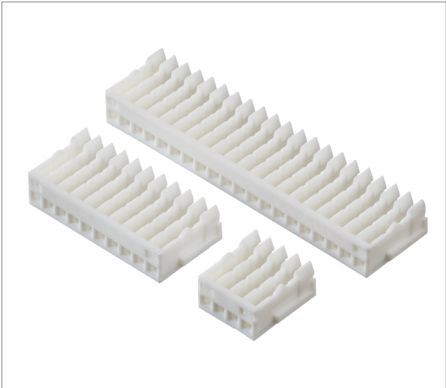
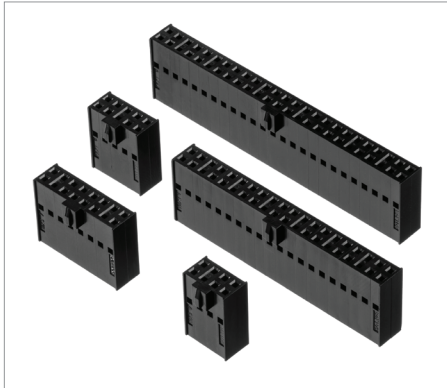
We utilize the latest 3D software to design our mold tooling.



APPLICATION **FOCUS**

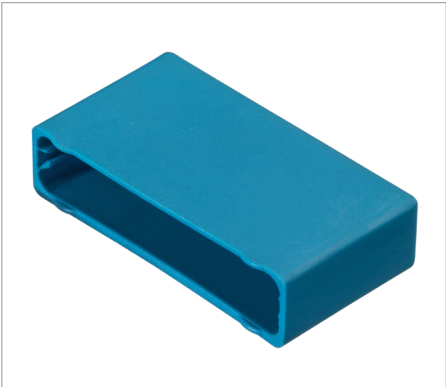
Interconnects

- Molding capability in LCP, PBT, PPO, nylon among others
- Precision wall thicknesses and pitch down to 0.6mm



Capacitor Boxes

- Precision wall thicknesses down to 0.3mm
- Mold cavitation exceeding 100 cavities



Automotive Components

- IATF Certified
- Highly qualified engineering team



Airbag sensor housing



Camera lens housing for autonomous vehicle



Key fob cover

Equipment



Photo courtesy of Engel

TOOLING EQUIPMENT

EDM

Agie-Charmilles
Sodick

CNC Milling

Deckel Maho
Hwacheon

Measuring

Mitutoyo
Smartscope

Superdrill

Sodick

Grinding

Mitsui
Okamoto
Jones & Shipman
Parker Majestic
Excel

Milling

ESK

Lathe

Leblond Makino

MOLDING EQUIPMENT

**35+ machines from Engel, Sumitomo,
Nissei, Toshiba and Multiplas.**

Horizontal Injection Molding

From 50-230 ton

Vertical Injection Molding

From 55-100 ton

Positronic | Americas

423 N Campbell Ave
Springfield MO 65806 USA
+1 800 641 4054
info@connectpositronic.com

Positronic | Europe

46 route d'Engachies
F-32020 Auch Cedex 9 France
+33 5 6263 4491
contact@connectpositronic.com

Positronic | Asia

3014A Ubi Rd 1 #07-01
+65 6842 1419
Singapore 408703
singapore@connectpositronic.com

Sales Offices

Positronic has local sales
representation all over the world.
For the nearest sales office visit
www.connectpositronic.com/sales