

For use with
Intersil ISL6401 family



DC-DC Flyback Transformer for Telecom

This low profile flyback transformer is designed for applications such as Subscriber Line Interface Circuits (SLICs), cable and DSL modems and set top boxes.

For free evaluation samples, contact Coilcraft or visit www.coilcraft.com.

Part number ¹	Inductance at 0 Adc ² ±10% (µH)	Inductance at 6.5 Adc ² min (µH)	DCR max (Ohms)	Leakage inductance max (µH)	Input	Output	Isolation ³ (Vrms)
IFLY0012L_	6.0	4.8	0.021 (pins 8 - 1) 0.690 (pins 7 - 2) 0.690 (pins 6 - 3) 0.690 (pins 5 - 4)	0.3	9 V – 20 V	-24 V, 170 mA -72 V, 170 mA	500

1. When ordering, please specify **packaging** code:

IFLY0012LD

Packaging: D = 13" machine ready reel. EIA-481 embossed plastic tape (200 parts per full reel).

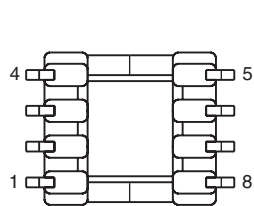
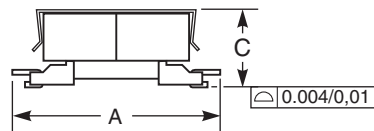
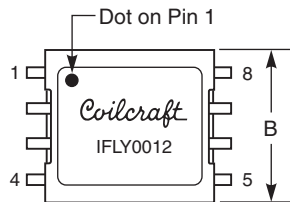
B = Less than full reel. In tape, but not machine ready. To have a leader and trailer added (\$25 charge), use code letter D instead.

2. Inductance is for the primary, measured at 100 kHz, 1.0 Vrms.

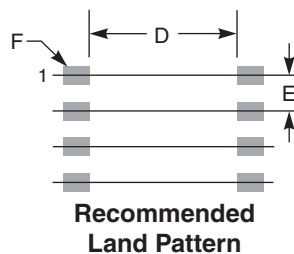
3. Isolation is from primary to secondary, tested for one minute.

4. Operating temperature range -40°C to +85°C.

5. Electrical specifications at 25°C.

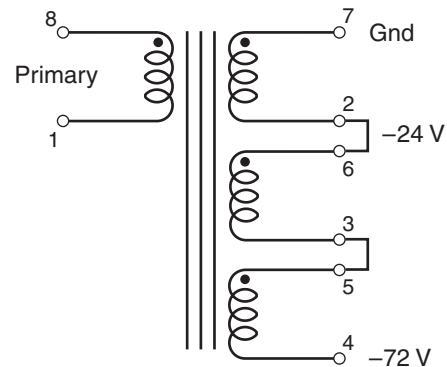


Dimensions are in $\frac{\text{inches}}{\text{mm}}$



Recommended Land Pattern

A max	B max	C max	D nom	E nom	F nom
0.925	0.675	0.360	0.591	0.148	0.079 × 0.110 inches
23,5	17,15	9,14	15,01	3,76	2,01 × 2,79 mm



Core material Ferrite

Terminations RoHS Matte tin over nickel over phos bronze

Weight 5.2 g

Isolation 500 Vrms, one minute primary to secondary

Ambient temperature -40°C to +85°C

Storage temperature Component: -40°C to +85°C.

Tape and reel packaging: -40°C to +80°C

Moisture Sensitivity Level (MSL) 1 (unlimited floor life at <30°C / 85% relative humidity)

Failures in Time (FIT) / Mean Time Between Failures (MTBF)

38 per billion hours / 26,315,789 hours, calculated per Telcordia SR-332

Packaging 200/13" reel Plastic tape: 44 mm wide, 0.4 mm thick, 28 mm pocket spacing, 9.6 mm pocket depth

PCB washing Only pure water or alcohol recommended



www.coilcraft.com

US +1-847-639-6400 sales@coilcraft.com

UK +44-1236-730595 sales@coilcraft-europe.com

Taiwan +886-2-2264 3646 sales@coilcraft.com.tw

China +86-21-6218 8074 sales@coilcraft.com.cn

Singapore + 65-6484 8412 sales@coilcraft.com.sg

Document 269 Revised 01/26/05

© Coilcraft Inc. 2013

This product may not be used in medical or high risk applications without prior Coilcraft approval. Specification subject to change without notice. Please check web site for latest information.

Mouser Electronics

Authorized Distributor

Click to View Pricing, Inventory, Delivery & Lifecycle Information:

[Coilcraft:](#)

[IFLY0012LB](#) [IFLY0012LD](#)