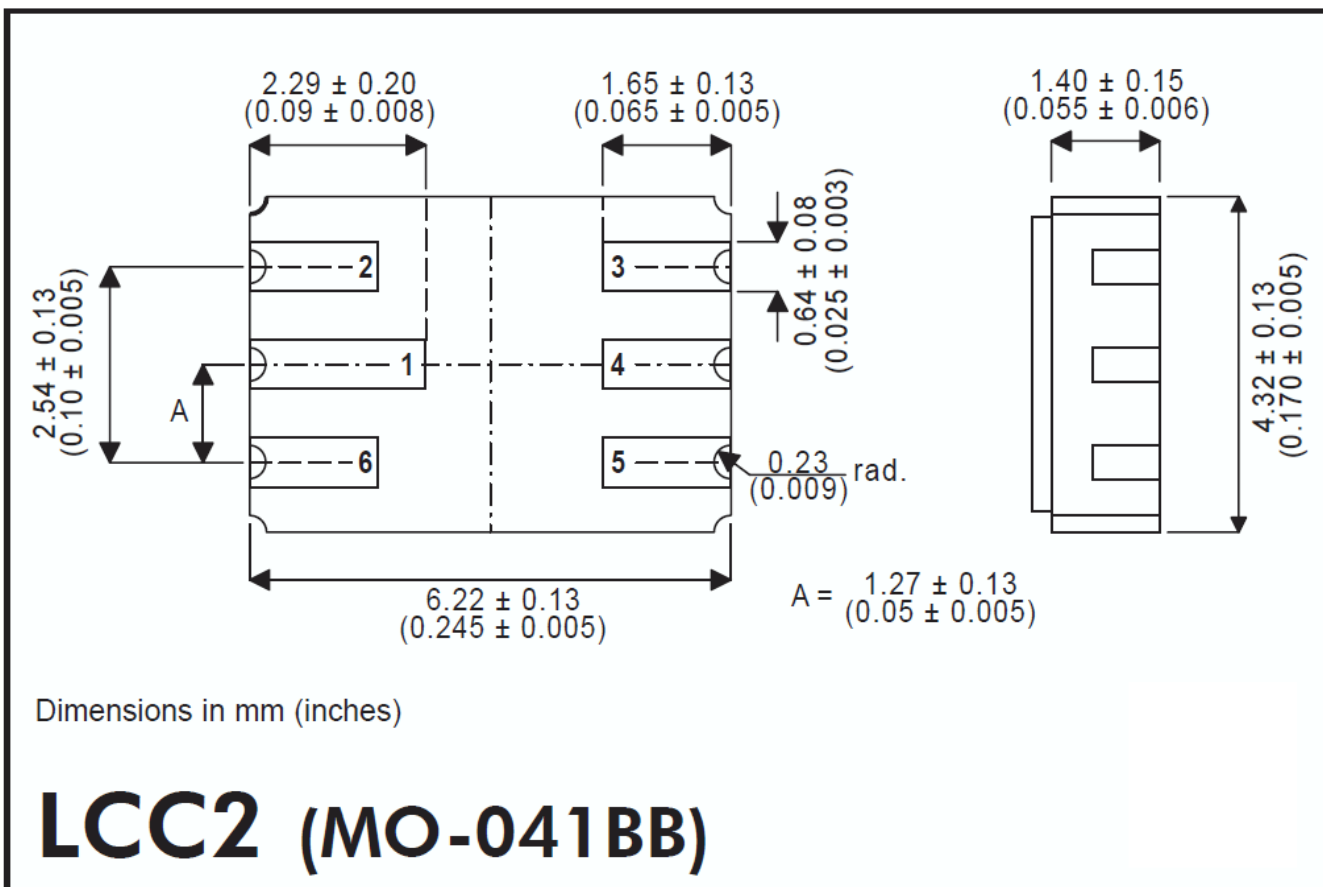
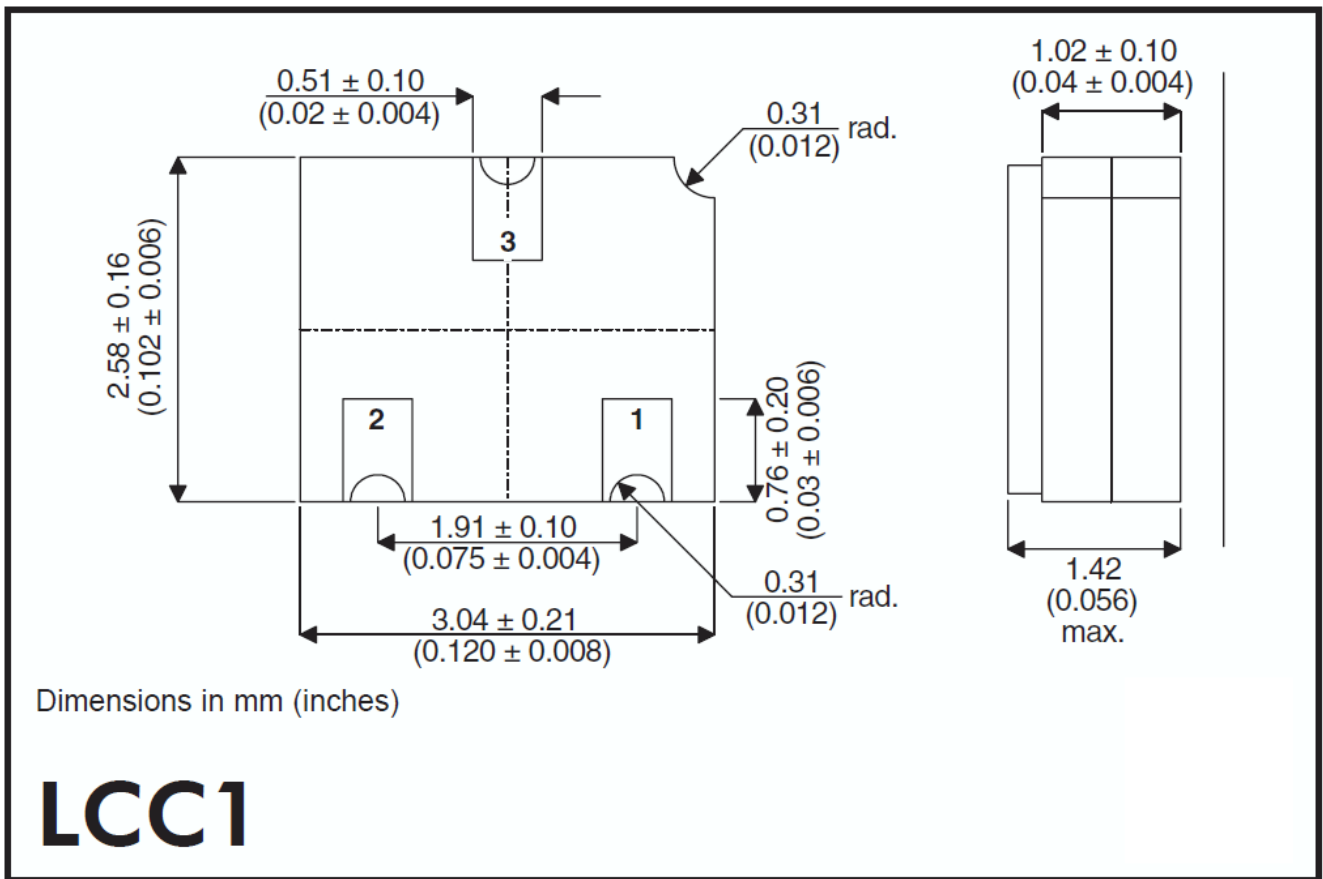
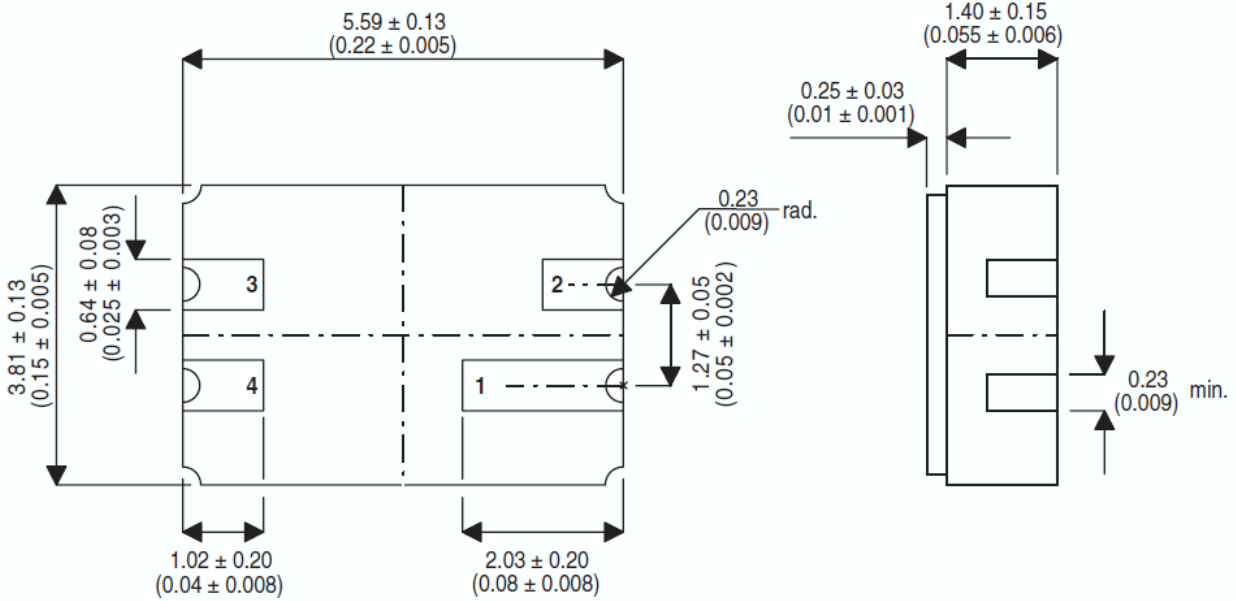




Semelab Aerospace Package Dimensions

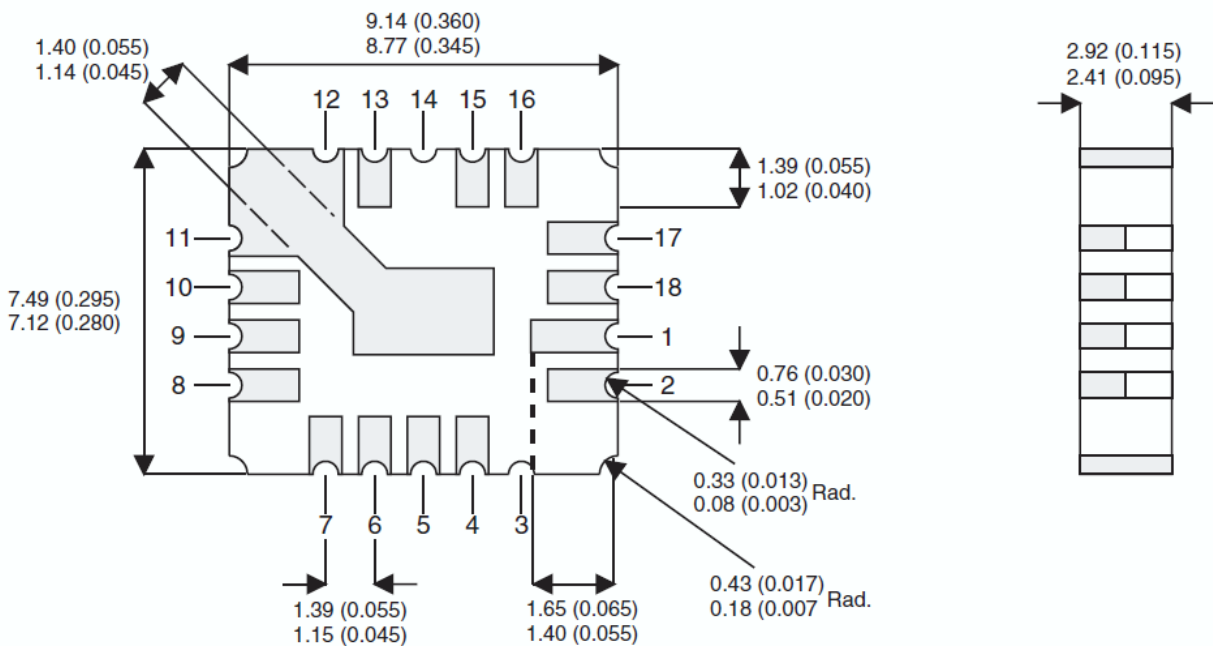


Dimensions shown are to JEDEC specifications. Some products may be specified with marginally different dimensions. See individual data sheets for detailed spec.



Dimensions in mm (inches)

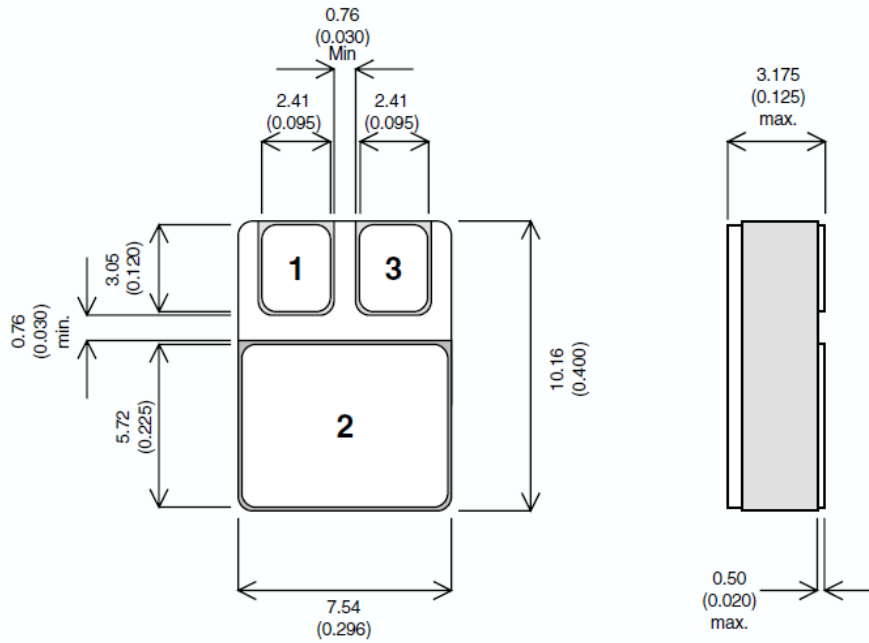
LCC3 (MO-041BA)



Dimensions in mm (inches)

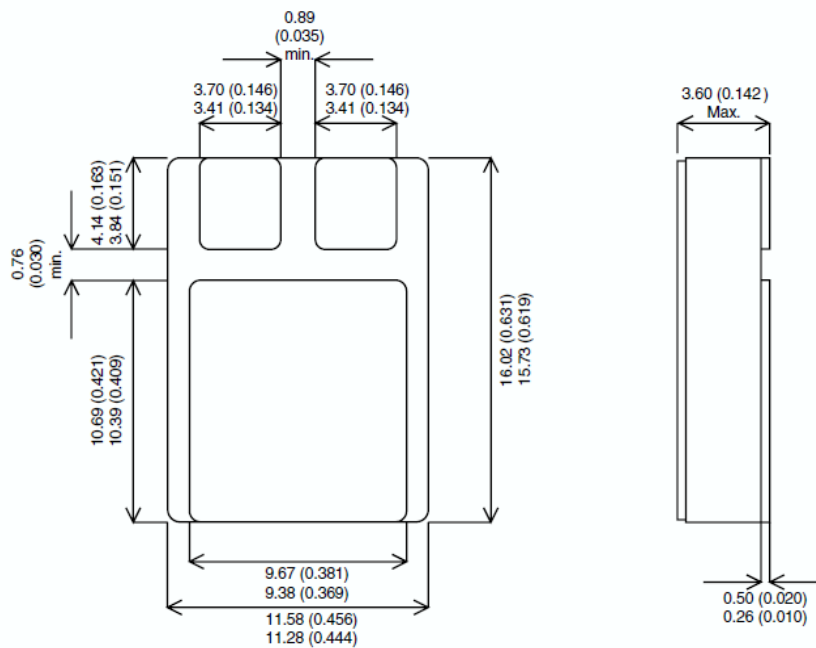
LCC4

Dimensions shown are to JEDEC specifications. Some products may be specified with marginally different dimensions. See individual data sheets for detailed spec.



Dimensions in mm (inches)

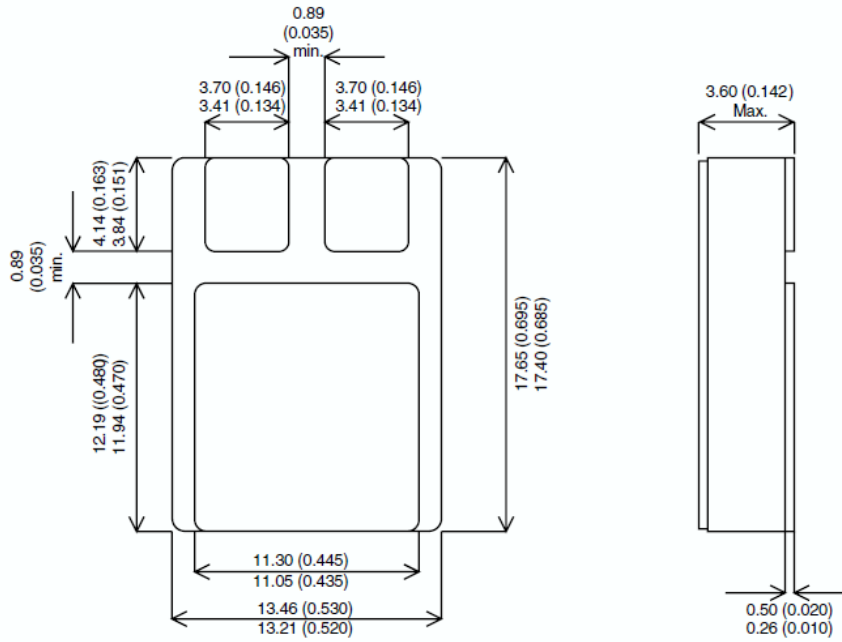
SMD05 (TO-276AA)



Dimensions in mm (inches)

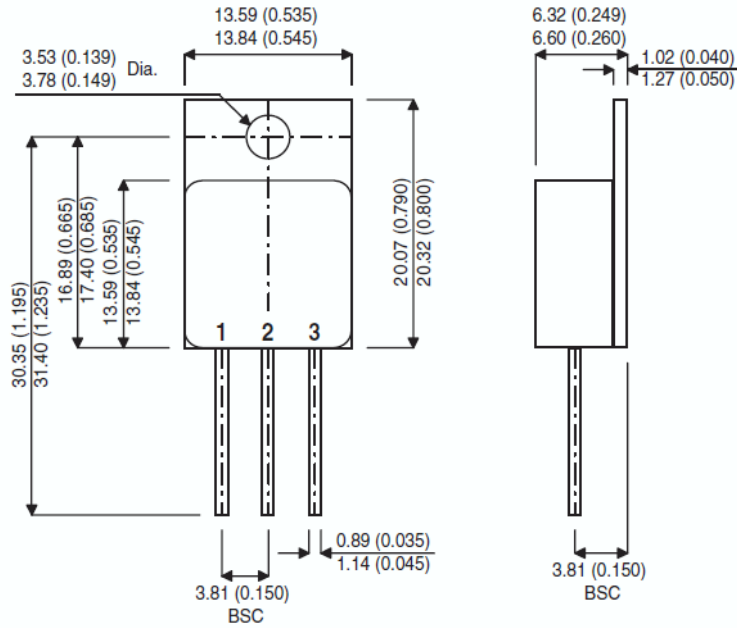
SMD1 (TO-276AB)

Dimensions shown are to JEDEC specifications. Some products may be specified with marginally different dimensions. See individual data sheets for detailed spec.



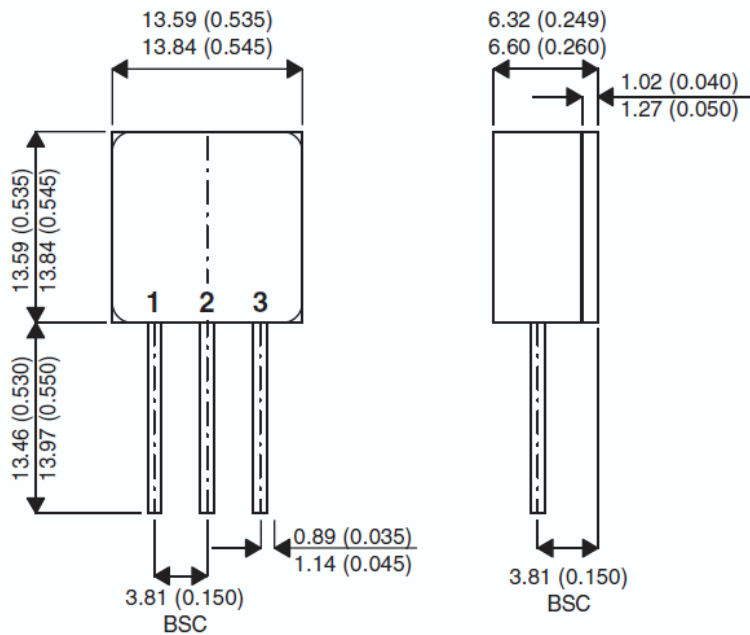
Dimensions in mm (inches)

SMD2 (TO-276AC)



Dimensions in mm (inches)

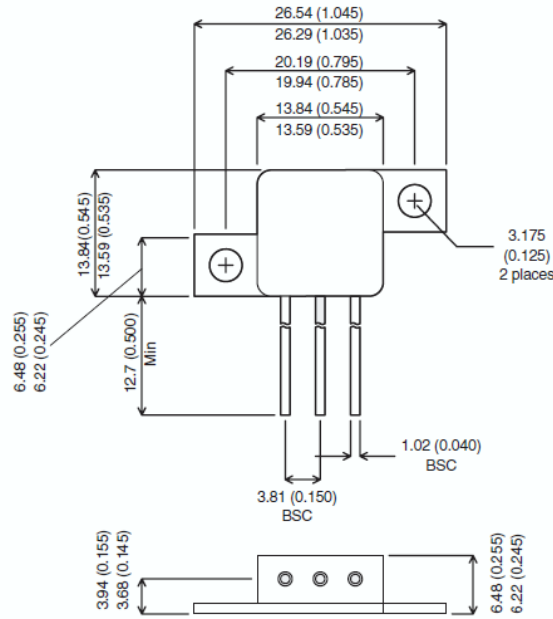
TO-254AA



Dimensions in mm (inches)

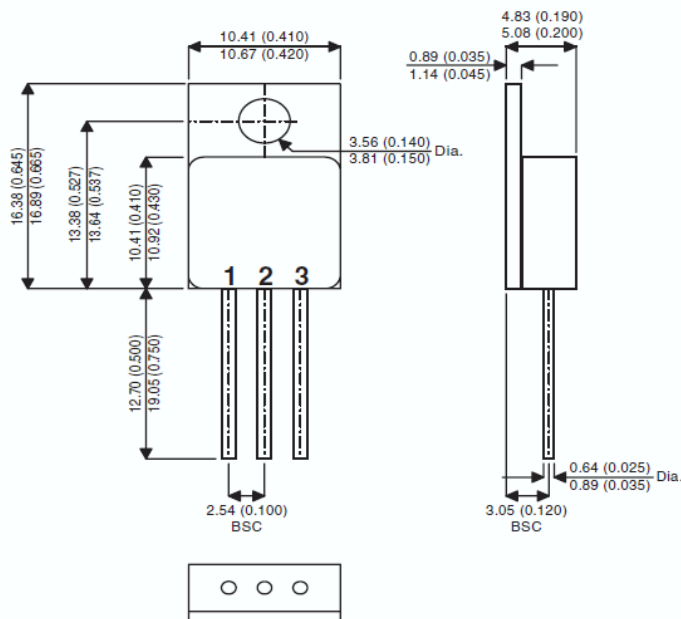
TO-254 Tabless

Dimensions shown are to JEDEC specifications. Some products may be specified with marginally different dimensions. See individual data sheets for detailed spec.



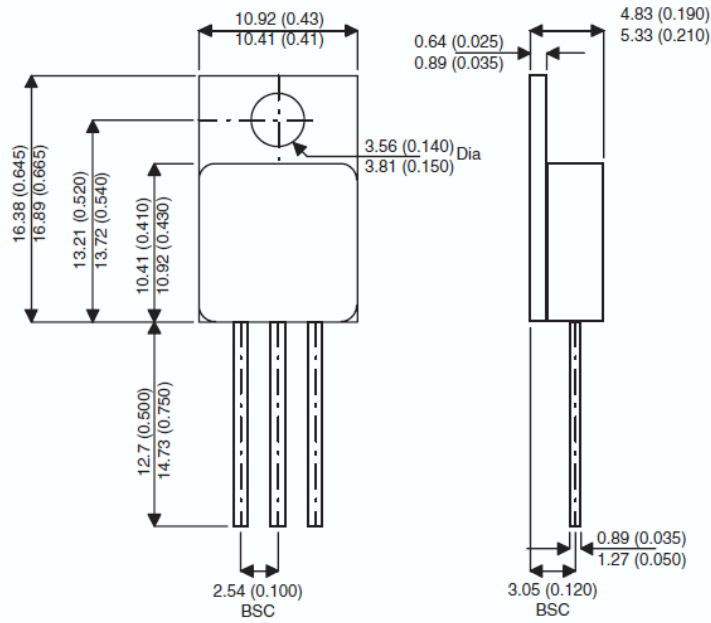
Dimensions in mm (inches)

TO-254 Side Tab



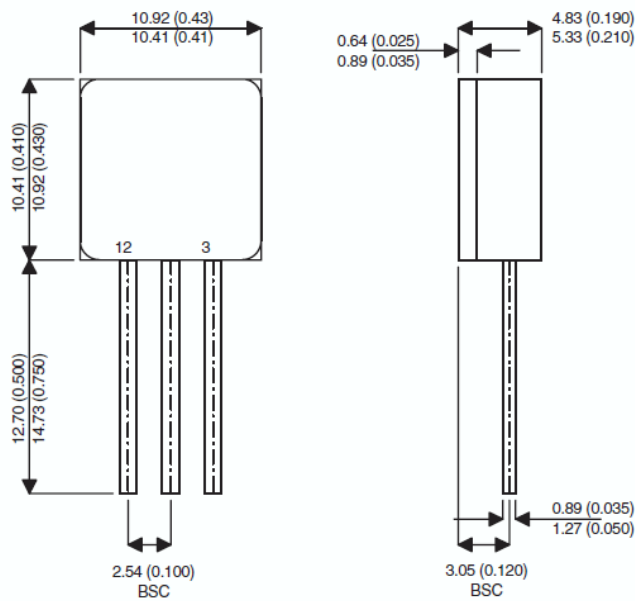
Dimensions in mm (inches)

TO-257AA (0.75mm leads)



Dimensions in mm (inches)

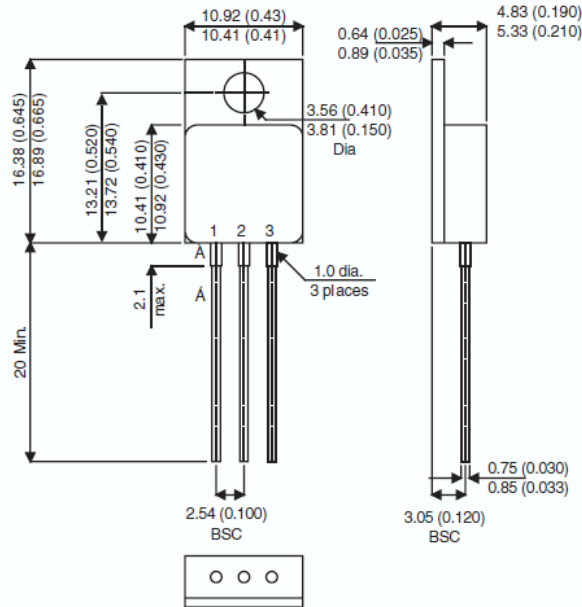
TO-257AB/TO220M (1mm leads)



Dimensions in mm (inches)

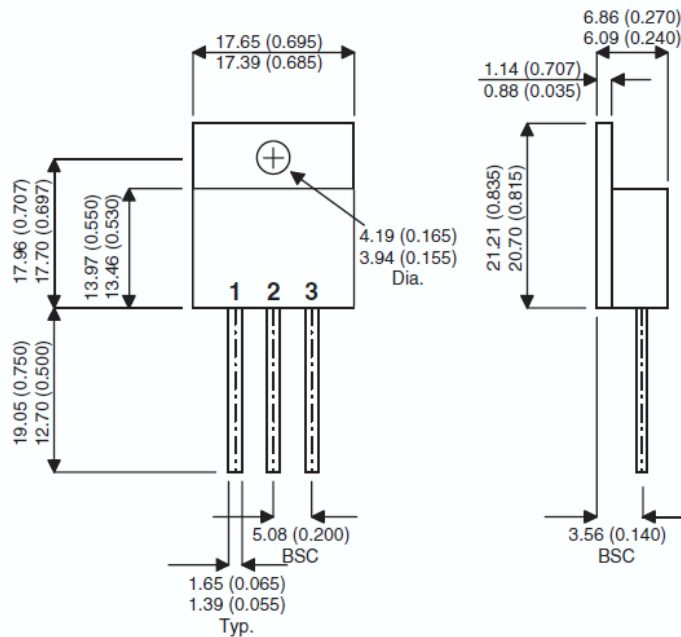
TO-257AB Tabless

Dimensions shown are to JEDEC specifications. Some products may be specified with marginally different dimensions. See individual data sheets for detailed spec.



Dimensions in mm (inches)

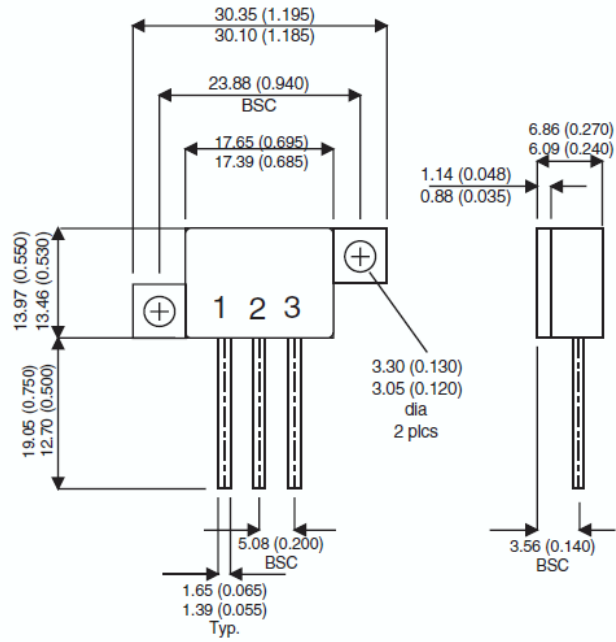
TO-257 Flexy-lead



Dimensions in mm (inches)

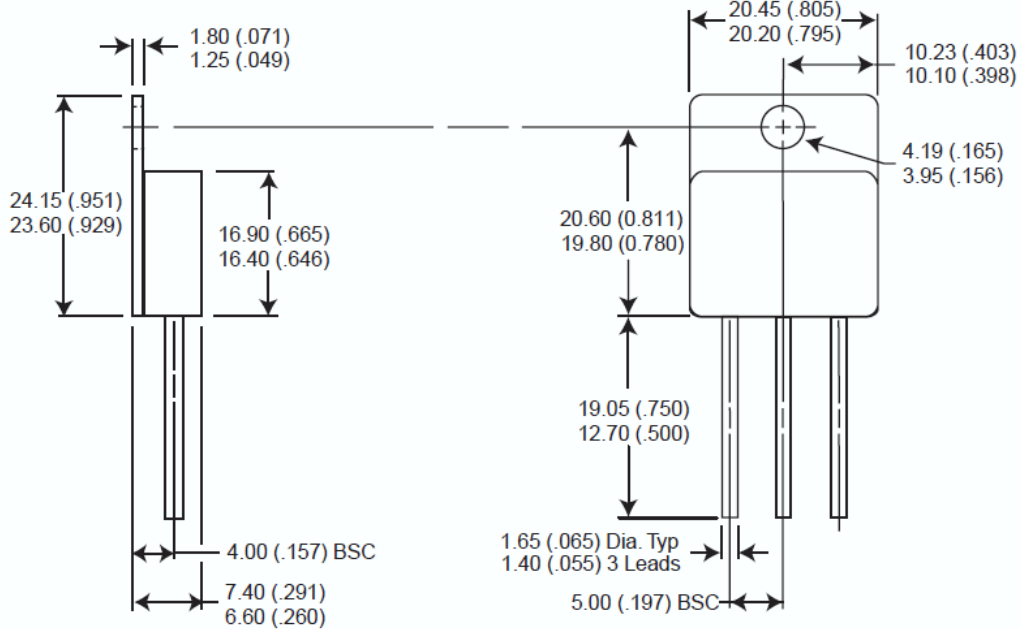
TO-258AA

Dimensions shown are to JEDEC specifications. Some products may be specified with marginally different dimensions. See individual data sheets for detailed spec.



Dimensions in mm (inches)

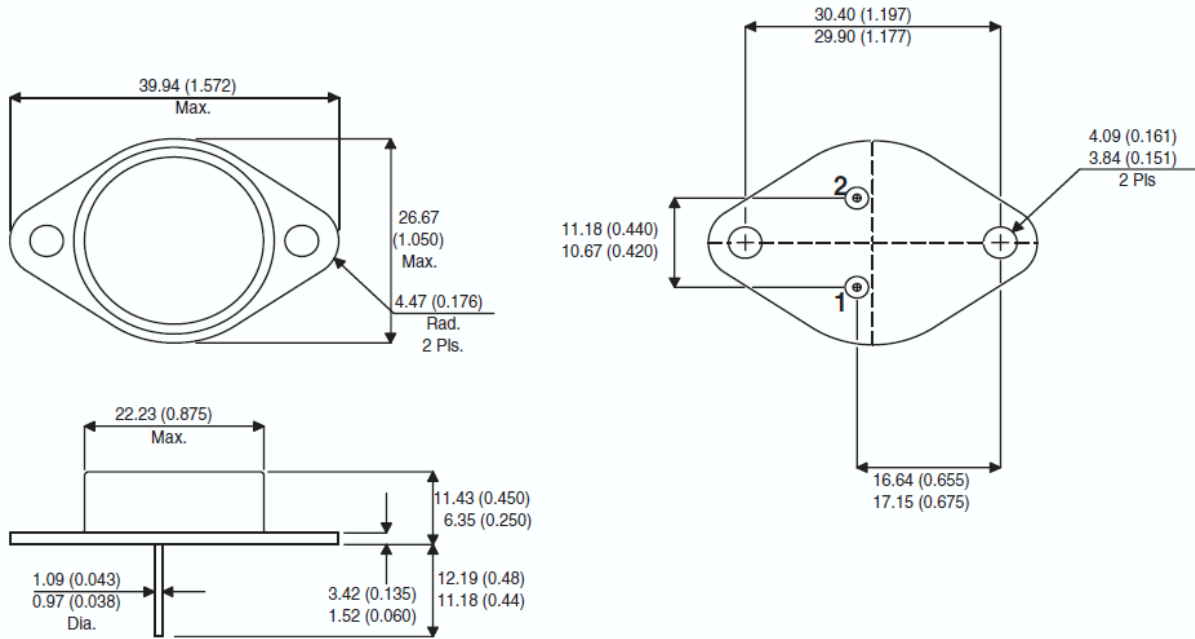
TO-259AA (Z-tab TO258)



Dimensions in mm (inches)

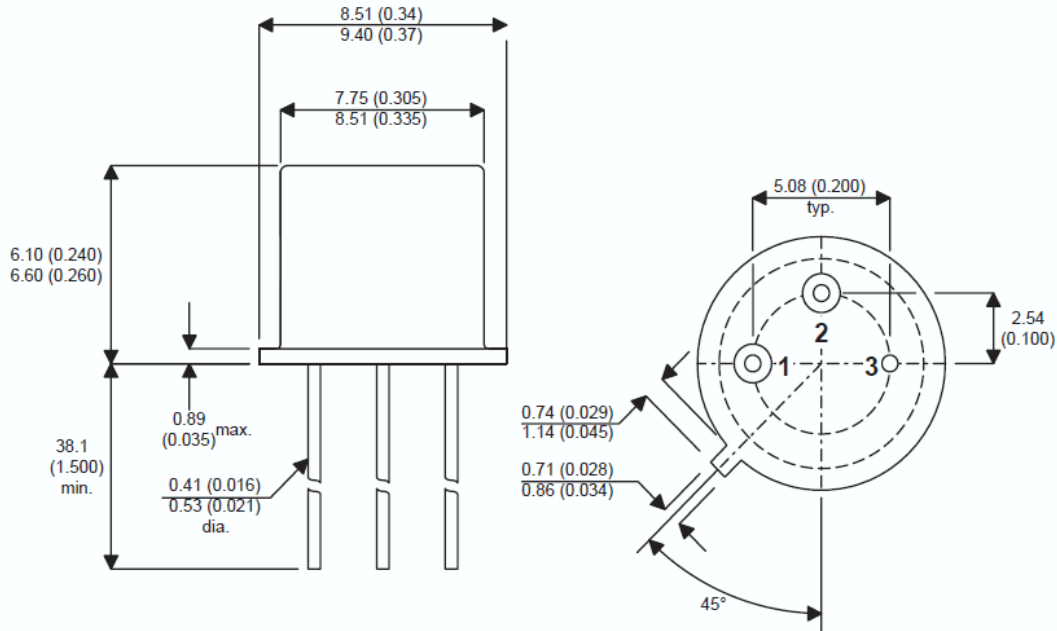
TO-267AA

Dimensions shown are to JEDEC specifications. Some products may be specified with marginally different dimensions. See individual data sheets for detailed spec.



Dimensions in mm (inches)

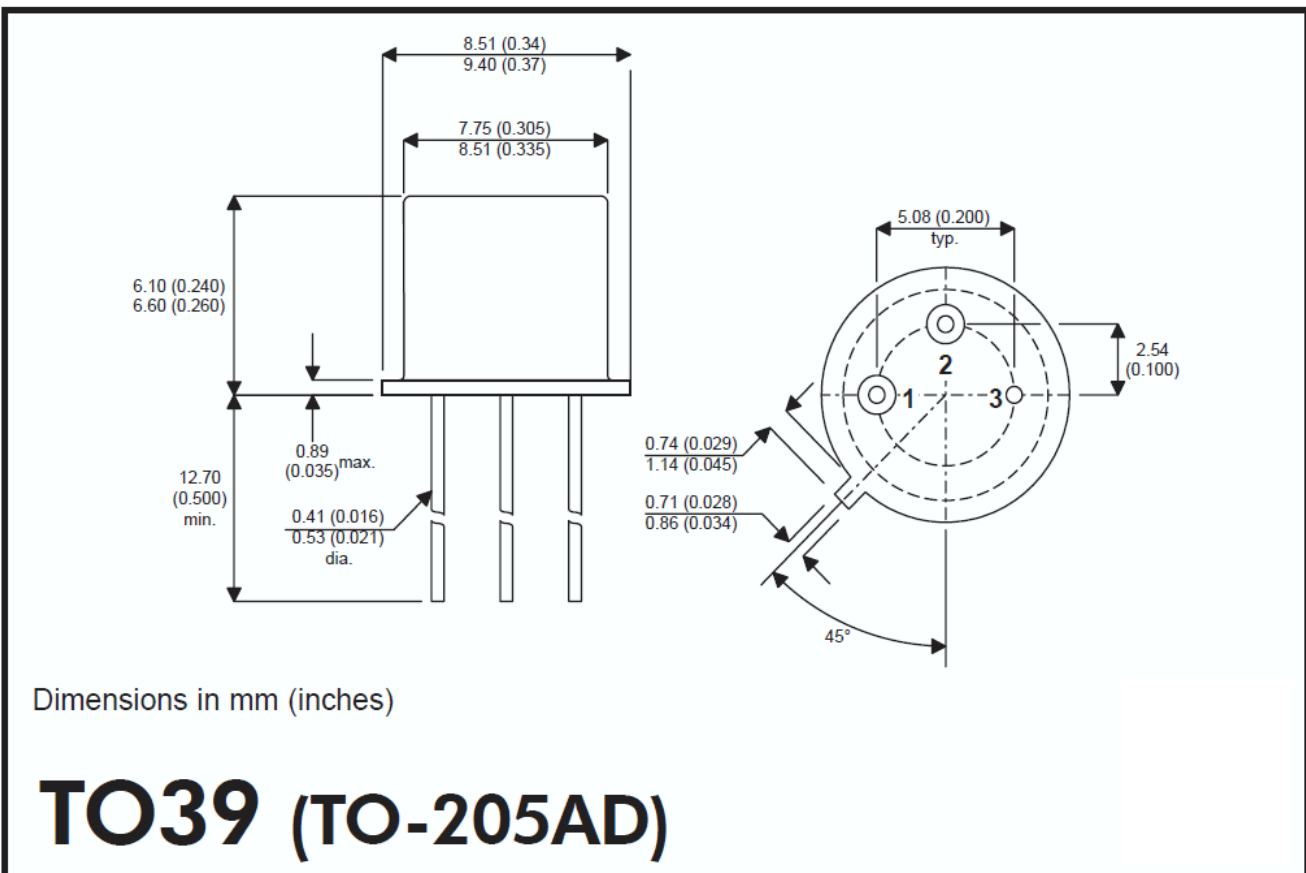
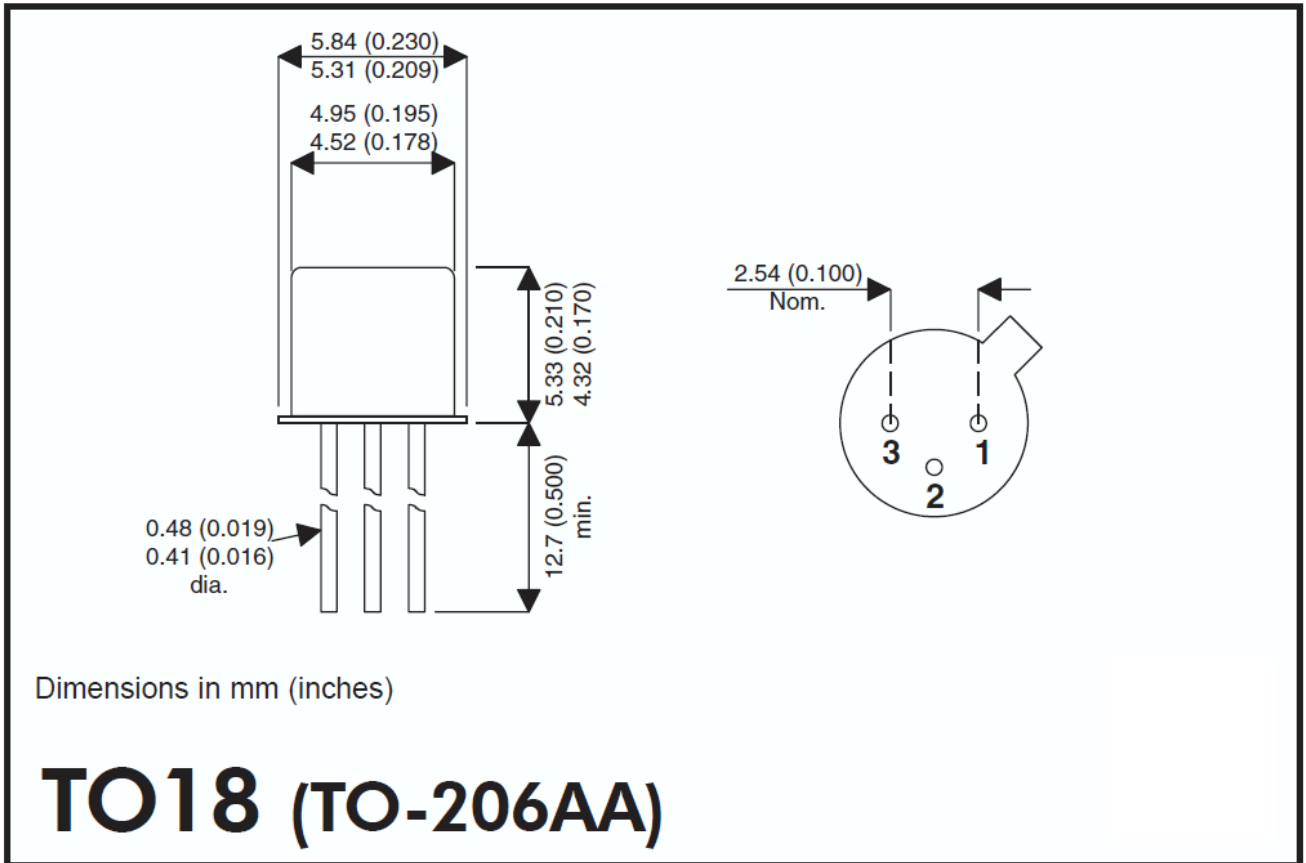
TO3 (TO-204AA)



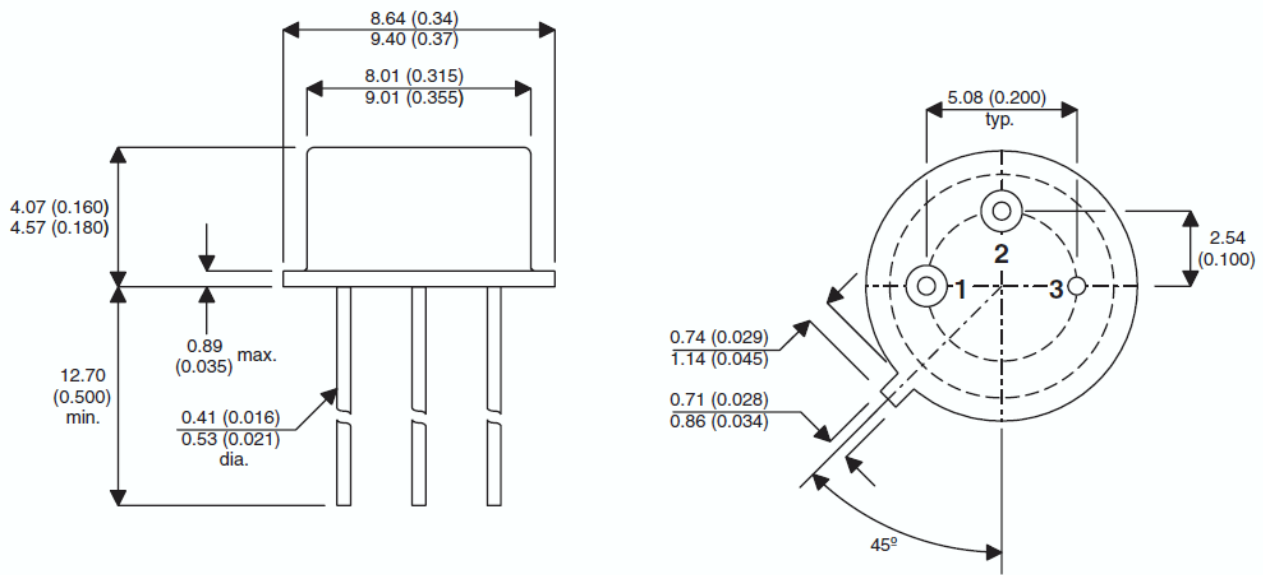
Dimensions in mm (inches)

TO5 (TO-205AA)

Dimensions shown are to JEDEC specifications. Some products may be specified with marginally different dimensions. See individual data sheets for detailed spec.

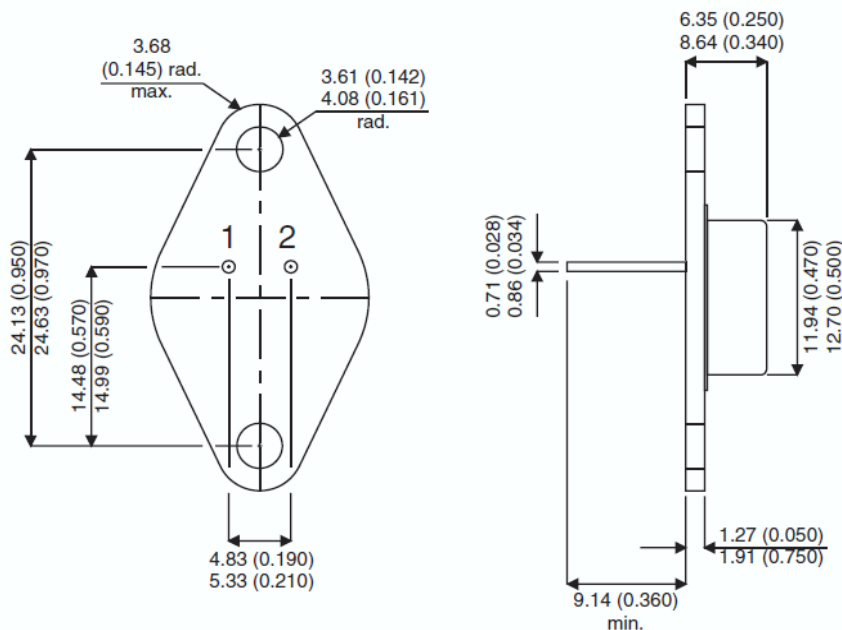


Dimensions shown are to JEDEC specifications. Some products may be specified with marginally different dimensions. See individual data sheets for detailed spec.



Dimensions in mm (inches)

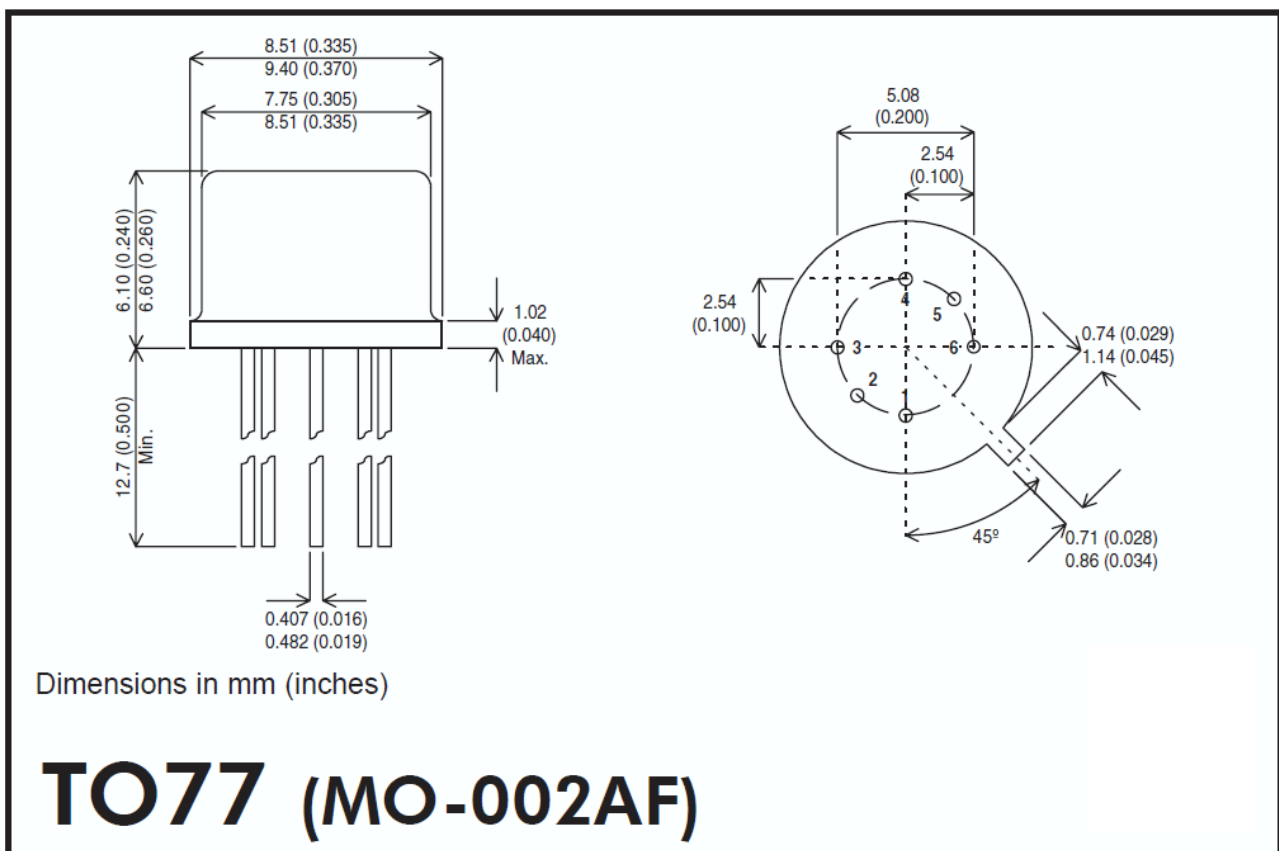
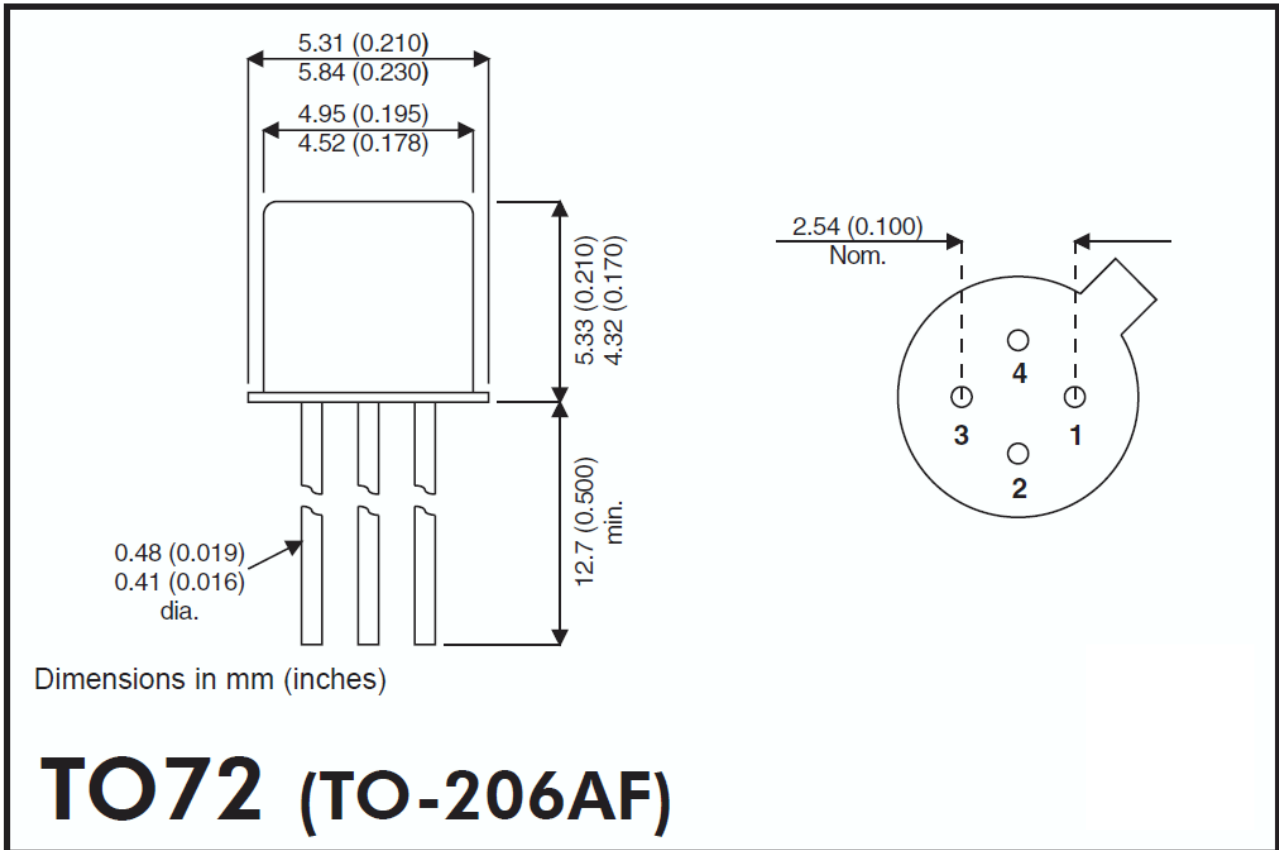
TO39 Low Profile (TO-205AF)



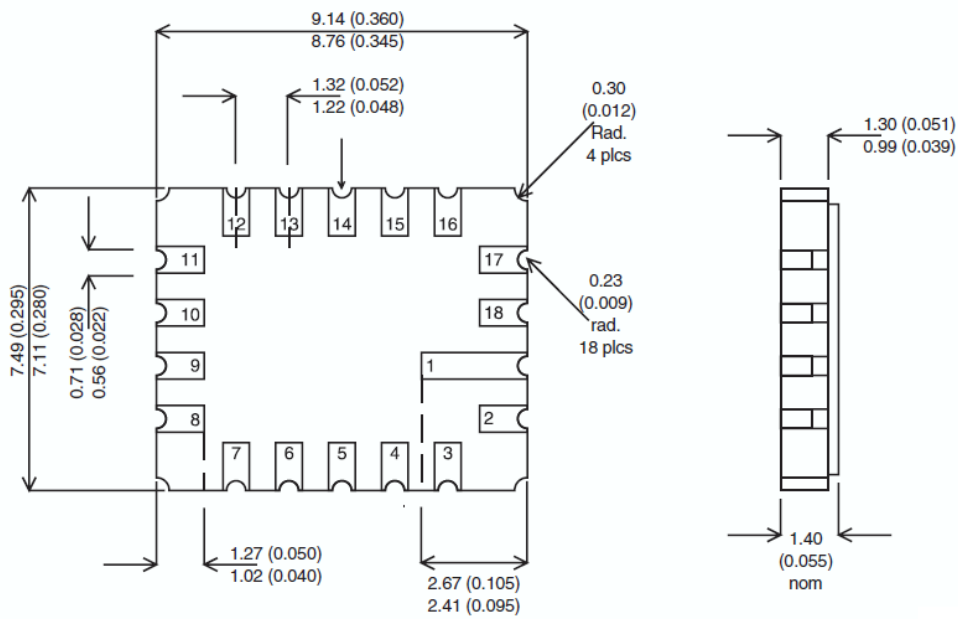
Dimensions in mm (inches)

TO66 (TO-213AA)

Dimensions shown are to JEDEC specifications. Some products may be specified with marginally different dimensions. See individual data sheets for detailed spec.

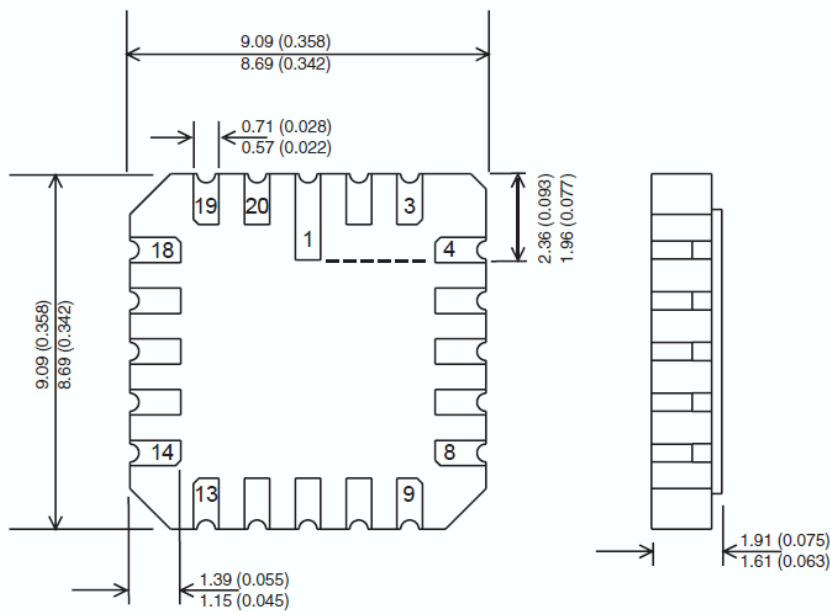


Dimensions shown are to JEDEC specifications. Some products may be specified with marginally different dimensions. See individual data sheets for detailed spec.



Dimensions in mm (inches)

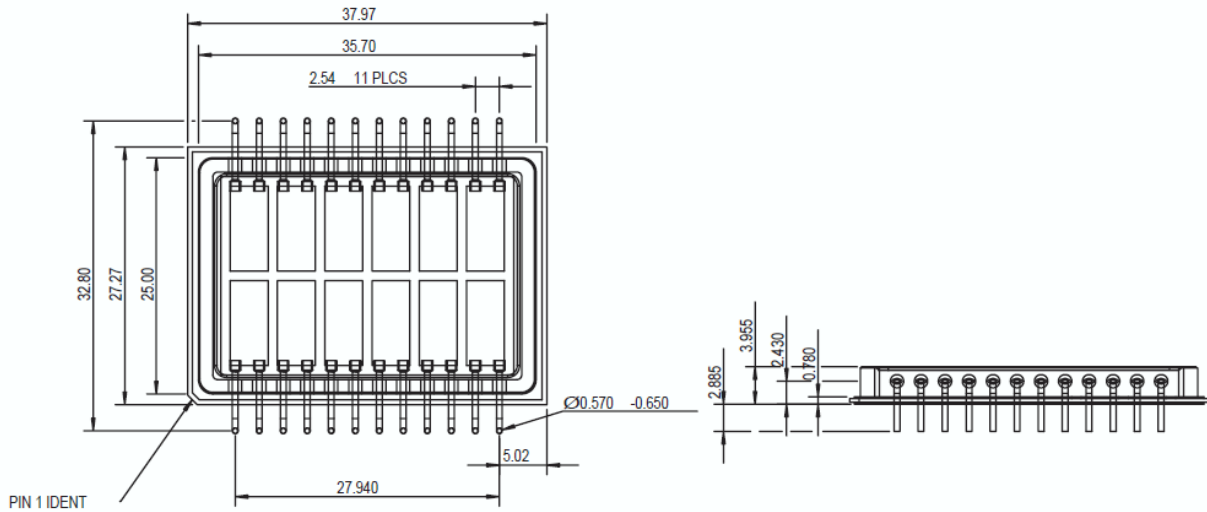
18-Pin LCC MCA



Dimensions in mm (inches)

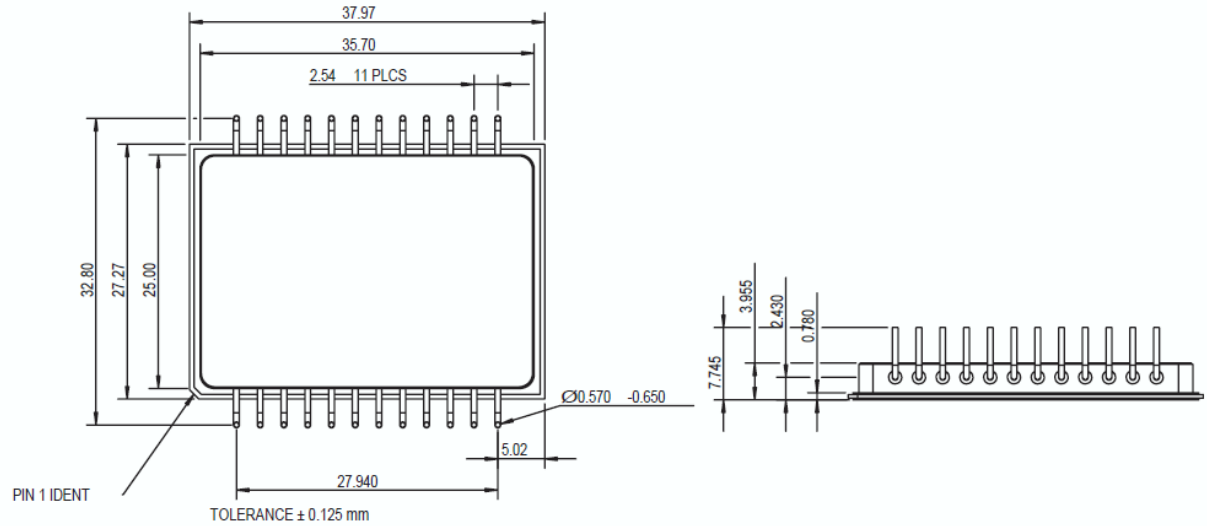
LCC7 (MS-004CB)

Dimensions shown are to JEDEC specifications. Some products may be specified with marginally different dimensions. See individual data sheets for detailed spec.



Dimensions in mm (inches)

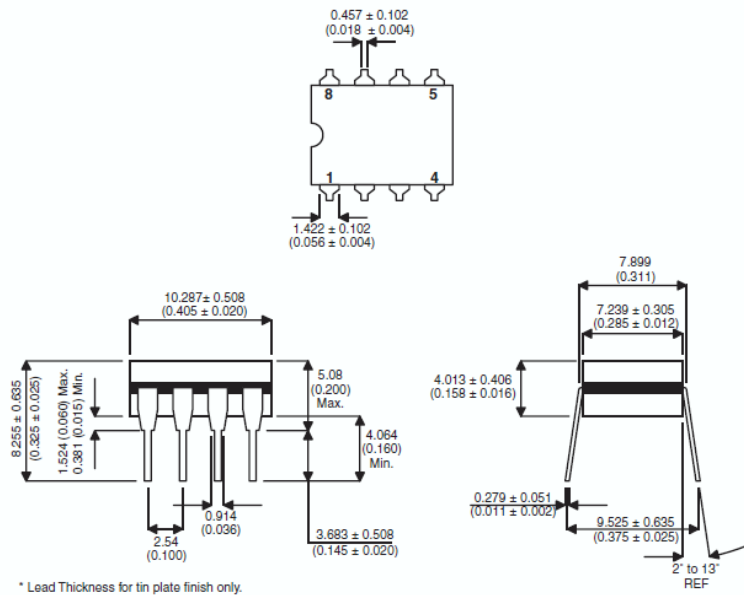
Power MCA 1



Dimensions in mm (inches)

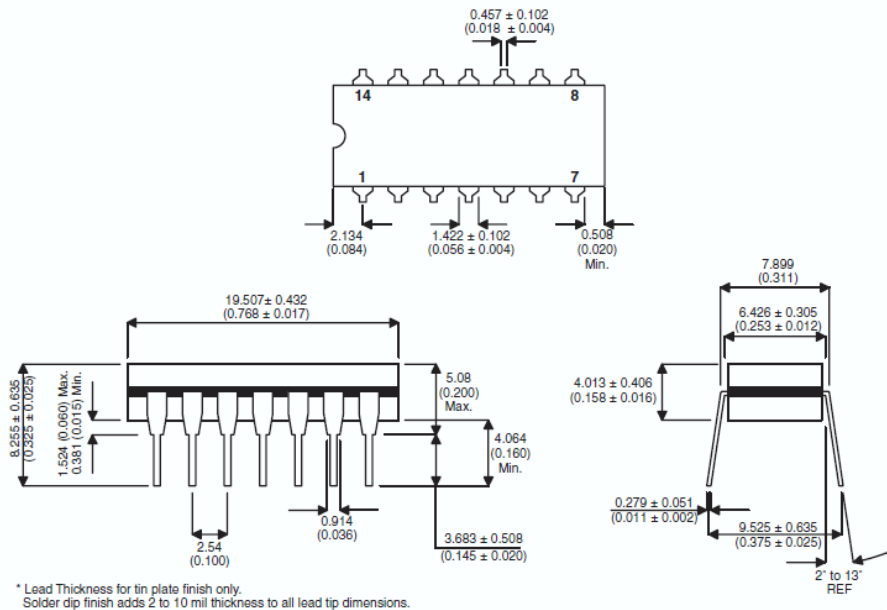
Power MCA 2

Dimensions shown are to JEDEC specifications. Some products may be specified with marginally different dimensions. See individual data sheets for detailed spec.



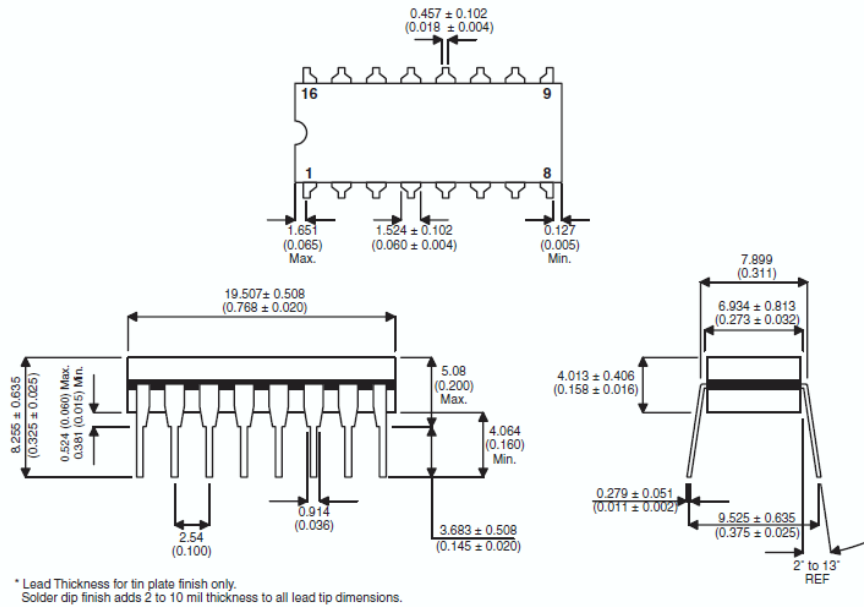
Dimensions in mm (inches)

CERDIP-8 J-Pack



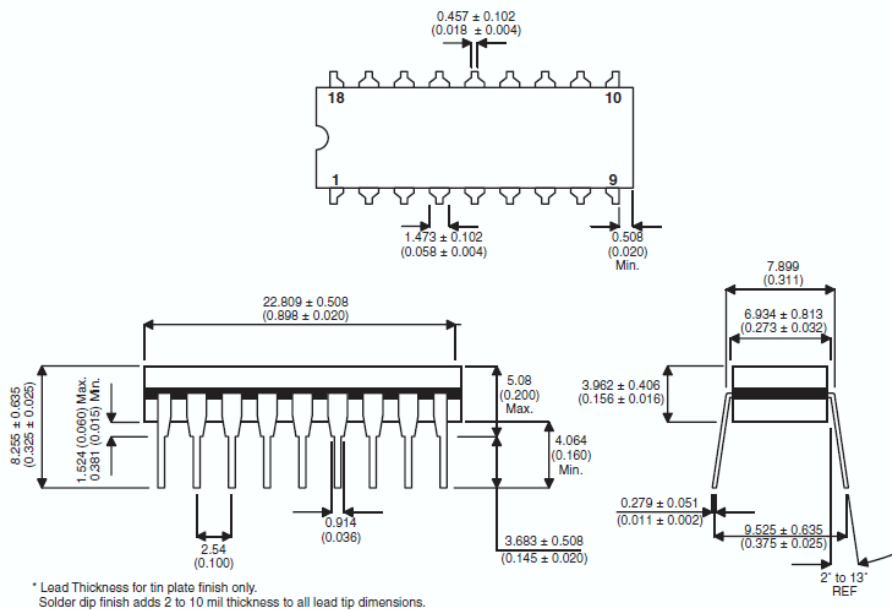
Dimensions in mm (inches)

CERDIP-14 J-Pack



Dimensions in mm (inches)

CERDIP-16 J-Pack



Dimensions in mm (inches)

CERDIP-18 J-Pack