

used for:

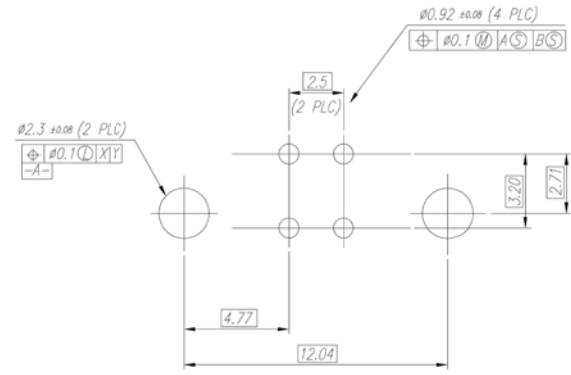
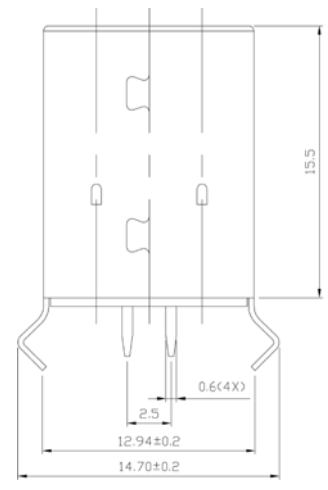
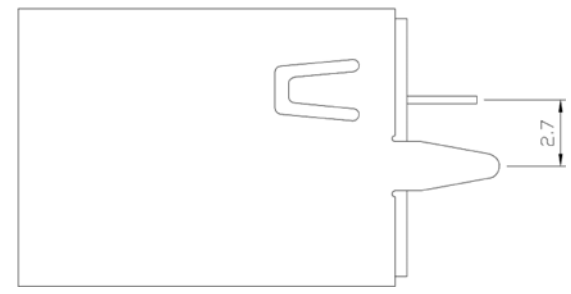
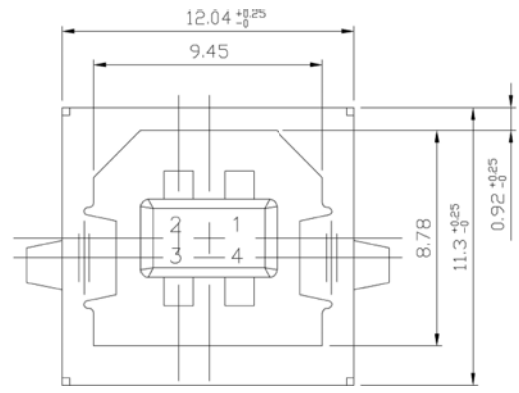
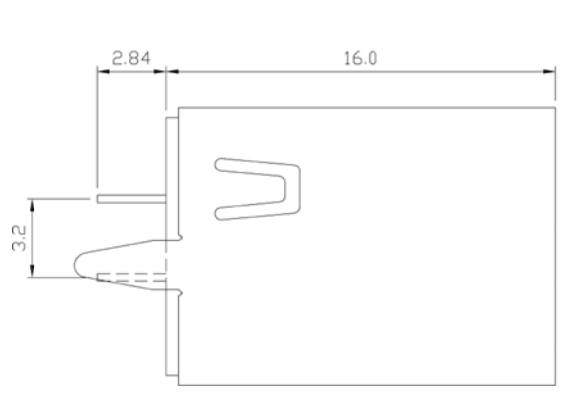


FIGURE A: PCB FOOTPRINT FOR RECEPTACLE (THROUGH-HOLE)

SPECIFICATIONS

Materials

Insulator: Thermoplastic, Glass Filled, 130°C, UL94V-0 Rated
 Contact: Copper Alloy
 Plated: Gold Plating
 Shell: Copper Alloy

Electrical

Insulation Resistance: 1000 Megohms MIN.
 Contact Resistance: 30 Milliohms Max. Initial
 Dielectric Withstanding Voltage: 500V AC for one minute
 Current: 1.0 Ampere Maximum Per Contact At 30°C T-Rise
 Voltage: 30V AC (rms)
 Temperature: -55°C ~ 85°C

THIS DRAWING MAY NOT BE COPIED OR REPRODUCED IN ANY WAY, AND MAY NOT BE PASSED ON TO A THIRD PARTY WITHOUT WRITTEN PERMISSION. OWNERSHIP AND COPYRIGHT OF CONEC CORPORATION DO NOT ALTER CAD DRAWING BY HAND

CONEC CORPORATION		tolerance	
Brampton, Ontario		unless otherwise specified	
		Decimat: .xxx	Dim. in mm
		Angles: °	
		2005	date
		draw.	April 14
		appd.	Vincent Ke
		norm	
		d-old	
rev.	description	date	name

scale:	
material:	See Specifications
title:	USB 1.1 Version CONNECTOR B TRPE PCB Through Hole
drawing no.:	AutoCAD 2004
	C0504R03A
part no.:	33UBBD-04 SW11
	DIN A3 sheet 1/1

Mouser Electronics

Authorized Distributor

Click to View Pricing, Inventory, Delivery & Lifecycle Information:

[CONEC:](#)

[33UBBD-04SW11](#)