

# Broadband 32 Watt GaN Power Amplifier

2400 to 6000 MHz high power, class AB design utilizing GaN technology



\*Similar Model

## Features

- 32 Watts Typical Saturated Output Power
- Rugged GaN Technology
- Adaptive Biasing to Promote Efficiency
- Optional Forward/Reverse Power Detection
- Blanking Feature Available
- Microprocessor Based Control
  - Fault Monitoring
  - Temperature Compensation
  - Sequencing
  - Interface Options

API Technologies’ Model QBS-561 is a high power, class AB solid state amplifier which utilizes the latest GaN technology to offer broadband performance from 2400 to 6000 MHz. The RPA has an integrated, high efficiency DC to DC converter to promote operation over a wide DC input voltage range of +25 to +32 VDC; drawing 4.4 amps with a saturated gain of 38 dB, and a typical output power of 32 watts.

The microprocessor based design incorporates an adaptive biasing algorithm to optimize efficiency and output power across the frequency band under varying load conditions. This rugged, high reliability GaN based amplifier is capable of performing in adverse commercial and military environments with EMI and moisture sealing, and will not be damaged operating into a 10:1 load mismatch at full rated power. Optional RF blanking controlled through an LVDS signal, and forward/reverse power detection are available upon request.

## Technical Specifications @ 25°C <sup>(1)</sup>

Parameter	Typical	Min / Max
Frequency Range	2400 - 6000 MHz	2400 - 6000 MHz
Linear Gain	47 dB	–
P <sub>SAT</sub> Gain <sup>(2)</sup>	38 dB	–
Output Power @ P <sub>SAT</sub>	32 Watts	25 Watts Min.
Power Flatness @ P <sub>SAT</sub>	± 0.8 dB	± 1.0 dB Max.
Power Over Temp. @ P <sub>SAT</sub>	± 1.5 dB	–
Input VSWR	1.3 :1	1.5 :1 Max.
Noise Figure	7.0 dB	10 dB Max.
2 <sup>nd</sup> Harmonic @ P <sub>SAT</sub>	-10 dBc	–
3 <sup>rd</sup> Harmonic @ P <sub>SAT</sub>	-30 dBc	–
Spurious Signals (non-harmonic)	< -70 dBc	–
DC Supply Voltage	+28 Volts	+25 to +32 Volts
Current Draw (Quiescent)	700 mA	–
Current Draw @ P <sub>SAT</sub>	4.4 Amps	4.4 Amps
Switching Time ON/OFF <sup>(3)</sup>	5 μs	10 μs
Package Dimensions	7.98(L) x 4.59(W) x 1.55(H) inches	
Material	6061-T6 Aluminum Alloy	
Finish	Clear Iridite (MIL-DTL-5541F, Class 3)	
Weight (no heatsink)	2.5 lbs (1134 grams)	
RF Connectors	SMA Female (4-Hole Flange)	
DC Interface Connector	15 Pin D-Sub Plug	

## Maximum Ratings

Storage Temperature	-45°C to +100°C
Operating Temperature (Case)	-20°C to +80°C
DC Input Voltage	+32 VDC
RF Input Power	+23 dBm

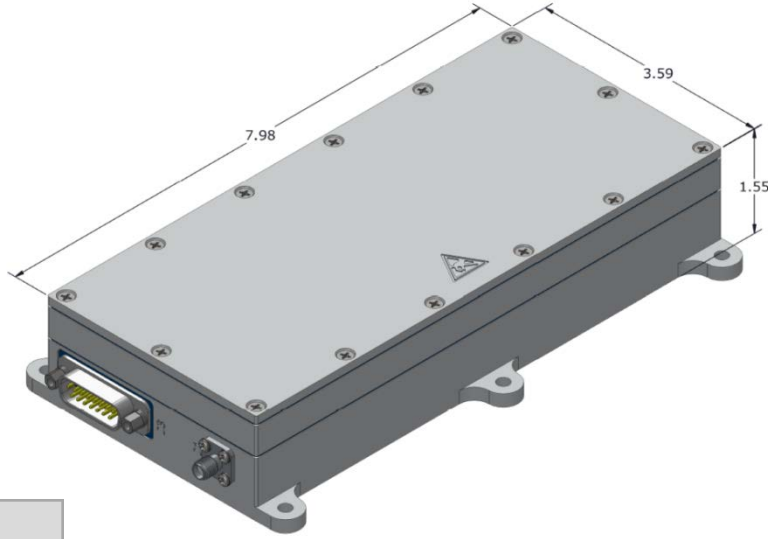
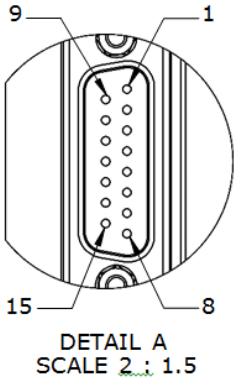
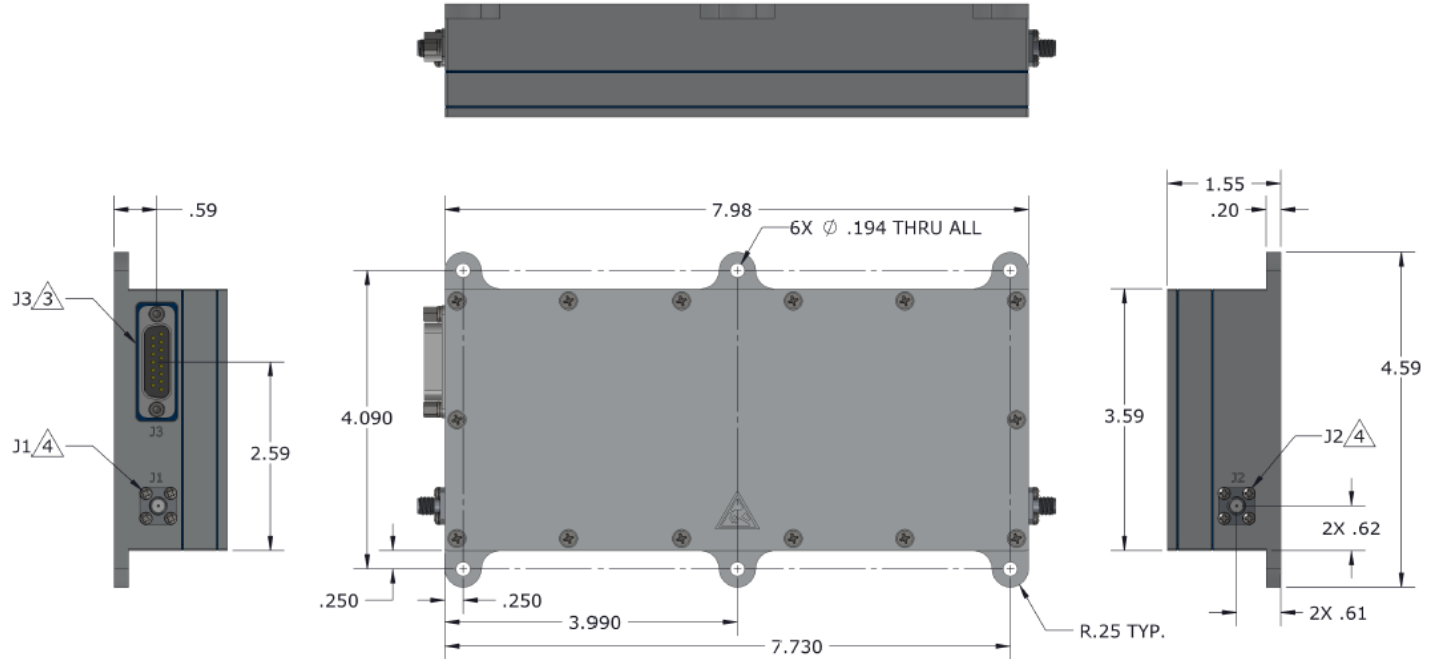
## Protection

VSWR Tolerance	10 :1
Case Shut Off Temperature	+85°C

### Notes:

1. Specifications are based on measured performance in a 50Ω system.
2. With a nominal input power of +7 dBm.
3. Switching time pertains to an optional blanking function controlled by an LVDS signal.

Outline Drawing



DC Power / Interface (Refer to Detail A)

D-SUB Pin Designations			
Pin #	Signal	Pin #	Signal
1	28V	9	28V RTN
2	28V	10	28V RTN
3	28V	11	28V RTN
4	N/C	12	N/C
5	Reserved	13	Reserved
6	N/C	14	Blanking (-)
7	Blanking (+)	15	Chassis GND
8	Chassis GND		